

CA-IF1051 5Mbps, $\pm 58V$ Fault Protected CAN Transceiver with CAN FD

1. Features

- **Meets the ISO 11898-2:2016 and ISO 11898-5:2007 Physical Layer Standards**
- **'Turbo' CAN:**
 - Support classic CAN and high-speed operation of up to 5Mbps CAN FD (flexible data rate)
 - Short symmetrical propagation delay and fast loop times for enhanced timing margin
- **Ideal Passive Behavior When Unpowered**
 - Bus and logic terminals are high impedance (no load)
 - Power up/down with glitch free operation on bus and RXD output
- **Integrated Protection Increases Robustness**
 - $\pm 58V$ fault-tolerant CANH and CANL
 - $\pm 30V$ extended common-mode input range (CMR)
 - Undervoltage protection on V_{CC} supply terminals
 - Transmitter dominant timeout prevents lockup, data rates down to 5.5kbps
 - Thermal shutdown
- **2.5V to 5.5V Logic-Supply (V_{IO}) Range (CA-IF1051VS only)**
- **Junction temperatures range of $-55^{\circ}C$ to $150^{\circ}C$**
- **8 pin SOIC package**

2. Applications

- Industrial automation
- Building automation
- HVAC systems
- Distribution automation
- Vending machines
- Security systems

3. General Description

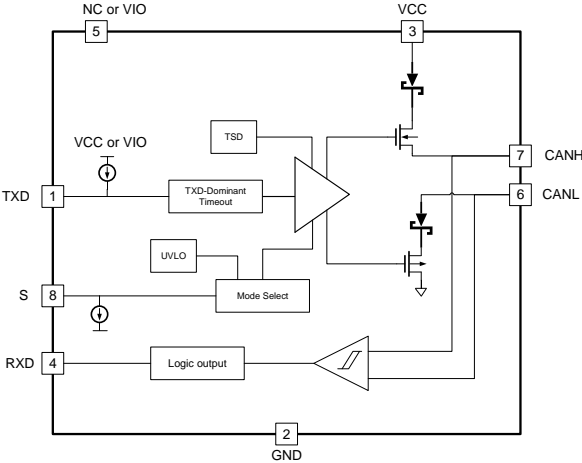
The CA-IF1051S/CA-IF1051VS are control area network (CAN) transceivers with integrated protection for industrial applications. This family of devices is designed for using in high-speed CAN FD networks up to 5Mbps data rate, features extended $\pm 58V$ fault protection on the CAN bus for equipment where overvoltage protection is required. These CAN devices also incorporate an input common-mode range (CMR) of $\pm 30V$, exceeding the ISO 11898 specification of $-2V$ to $+7V$, and well suited for applications where ground planes from different systems are shifting relative to each other. For the CA-IF1051VS device, interfacing with CAN protocol controllers is simplified by the 2.5V to 5.5V wide logic-supply voltage range (V_{IO}).

The transmitter include a dominant timeout detection to prevent bus lockup caused by controller error or by a fault on the TXD input. When TXD remains in the dominant state (low) for longer than t_{DOM} , the driver is switched to the recessive state, releasing the bus. In addition, this family of devices features a silent-mode option to disable the transmitter.

The CA-IF1051S/CA-IF1051VS are in a standard 8-pin SOIC package. Both parts operate over the $-55^{\circ}C$ to $+150^{\circ}C$ temperature range.

Device Information

Part number	Package	Package size (NOM)
CA-IF1051S	SOIC-8	4.9mm x 3.9mm
CA-IF1051VS	SOIC-8	4.9mm x 3.9mm



Simplified Block Diagram

4. Ordering Information

Table 4-1 Ordering Information

Part Number	Package	Features
CA-IF1051S	SOIC8	---
CA-IF1051VS	SOIC8	Low level translation

Contents

1. Features	1	9.2. Receiver	15
2. Applications	1	9.3. Transmitter.....	16
3. General Description	1	9.4. Protection Functions.....	16
4. Ordering Information	2	9.4.1. Undervoltage Lockout	16
5. Revision History	3	9.4.2. Fault Protection.....	16
6. Pin Configuration and Functions	4	9.4.3. Thermal Shutdown.....	16
7. Specifications	5	9.4.4. Current-Limit	17
7.1. Absolute Maximum Ratings	5	9.4.5. Transmitter-Dominant Timeout	17
7.2. ESD Ratings.....	5	9.5. Unpowered Device	18
7.3. Recommended Operating Conditions	5	9.6. Floating Terminals.....	18
7.4. Thermal Information	5	9.7. Operating Mode.....	18
7.5. Electrical Characteristics	6	9.7.1. Normal Mode.....	18
7.6. Switching Characteristics.....	8	9.7.2. Silent Mode.....	18
7.7. Typical Operating Characteristics and Waveforms	9	10. Application Information	19
8. Parameter Measurement Information	11	11. Package Information	21
9. Detailed Description	15	12. Soldering Temperature (reflow) Profile	22
9.1. CAN Bus Status.....	15	13. Tape and Reel Information	23
		14. Important Statement	24

5. Revision History

Revision Number	Description	Page Changed
Version 1.00	N/A	N/A
Version 1.01	Typo error.	6
Version 1.02	Update the testing conditions and typical values of VOH and VOL for output port RXD	6

6. Pin Configuration and Functions

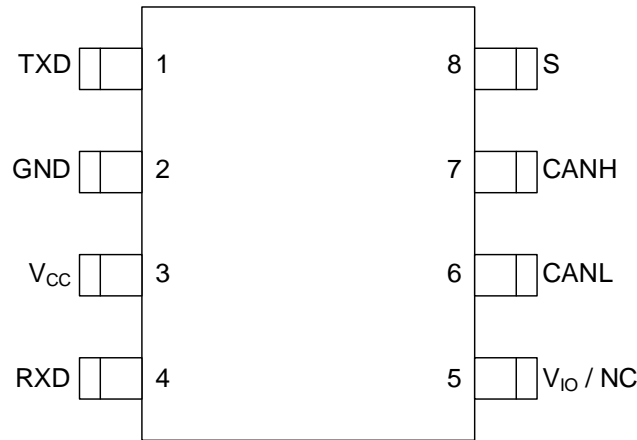


Figure 6-1 CA-IF1051S/VS Pin Configuration

Table 6-1 CA-IF1051S/VS Pin Configuration and Description

Pin #		Pin Name	Type	Description
CA-IF1051S	CA-IF1051VS			
1	1	TXD	Digital I/O	Transmit Data Input, Drive TXD high to set the driver in the recessive state. Drive TXD low to set the driver in the dominant state. TXD is a CMOS/TTL compatible input from a CAN controller with an internal pull-up to V _{CC} or V _{IO} .
2	2	GND	GND	Ground.
3	3	V _{CC}	Power	+5V Supply Voltage. Bypass V _{CC} to GND with an at least 0.1μF capacitor.
4	4	RXD	Digital I/O	Receive Data Output, RXD is LOW for dominant bus state and HIGH for recessive bus state. RXD is a CMOS/TTL compatible output from the physical bus lines CANH and CANL.
5	-	NC	NC	No connect.
-	5	V _{IO}	Power	Logic Supply Input. V _{IO} is the logic supply voltage for the input/output between the CAN transceiver and controller. V _{IO} allows full compatibility from +2.5V to +5.5V logic on all digital lines. Bypass to GND with a 0.1μF capacitor. Connect V _{IO} to V _{CC} for 5V logic compatibility.
6	6	CANL	Bus I/O	CAN bus line low.
7	7	CANH	Bus I/O	CAN bus line high.
8	8	S	Digital I/O	Silent Mode Input. Drive S low or leave it open to enable TXD and to operate in normal mode. Drive S high to disable the transmitter.

7. Specifications

7.1. Absolute Maximum Ratings

PARAMETER		MIN	MAX	UNIT
V _{CC}	5V Supply Voltage Range	-0.3	7	V
V _{IO}	Logic Supply Voltage Range	-0.3	7	V
V _{BUS}	CAN Bus I/O voltage range (CANH,CANL)	-58	58	V
V _(DIFF)	Max differential voltage between CANH and CANL	-58	58	V
V _(Logic_Input)	Logic input terminal voltage range (TXD, S)	-0.3	+7	V
V _(Logic_Output)	Logic output terminal voltage range (RXD)	-0.3	+7	V
I _{O(RXD)}	RXD (receiver) terminal output current	-8	8	mA
T _J	Virtual junction temperature range	-55	150	°C
T _{STG}	Storage temperature range	-65	150	°C

Note:

- The stresses listed under “Absolute Maximum Ratings” are stress ratings only, not for functional operation condition. Exposure to absolute maximum rating conditions for extended periods may cause permanent damage to the device.

7.2. ESD Ratings

Parameters	TEST CONDITIONS		VALUE	UNIT
CA-IF1051S/VS				
HBM ¹ ESD	CAN bus terminals (CANH, CANL) to GND		±8000	V
	Other pins		±4000	
CDM ESD	All pins		±1500	V
System Level ESD	CAN bus terminals (CANH, CANL) to GND	IEC 61000-4-2: unpowered contact discharge.	±8000 ²	V
ISO7637 transient per GIFT-ICT CAN EMC test	CAN bus terminals (CANH, CANL) to GND	ISO Pulse 1	-100	V
		ISO Pulse 2	+75	V
		ISO Pulse 3a	-150	V
		ISO Pulse 3b	+100	V
ISO7637-3 transient	CAN bus terminals (CANH, CANL) to GND	Slow transient with 100nF coupling —powered	±85	V

Note:

- Per JEDEC document JEP155, 500V HBM allows safe manufacturing of standard ESD control process.
- Testing on System Board Level.

7.3. Recommended Operating Conditions

Table 7-1 Recommended Operating Conditions

PARAMETER		MIN	MAX	UNIT
V _{CC}	5V Supply Voltage Range	4.5	5.5	V
V _{IO}	Logic Supply Voltage Range	2.5	5.5	V
I _{OH(RXD)}	RXD terminal high level output current	-2		mA
I _{OL(RXD)}	RXD terminal low level output current		2	mA

7.4. Thermal Information

Thermal Metric		SOIC8-NB	UNIT
R _{θJA}	Junction to Ambient	125	°C/W

7.5. Electrical Characteristics

 Over recommended operating conditions, $T_A = -40^{\circ}\text{C}$ to 125°C (unless otherwise noted).

PARAMETER		TEST CONDITIONS	MIN	TYP	MAX	UNIT	
POWER							
I_{CC}	5V Supply Current	TXD = 0V, $R_L = 60\ \Omega$ (dominant), see Figure 8-1		40	70	mA	
		TXD = 0V, $R_L = 50\ \Omega$ (dominant), see Figure 8-1		45	80	mA	
		TXD = 0V, CANH = -12V (dominant), see Figure 8-1				180	mA
		TXD = V_{CC} , $R_L = 50\ \Omega$ (recessive), see Figure 8-1		0.7	2.5	mA	
		S= V_{CC} (silent mode), see Figure 8-1		0.6	2.5	mA	
I_{IO}	V_{IO} supply current	Normal mode and silent mode		90	300	μA	
V_{UV_VCC}	UVLO Threshold	Rising		4.2	4.4	V	
V_{UV_VCC}	UVLO Threshold	Falling	3.8	4.0	4.25	V	
$V_{UV_VCC_HYS}$	UVLO Threshold	Hysteresis		0.2		V	
V_{UV_IO}	UVLO threshold on V_{IO}	CA-IF1051VS	1		2.25	V	
$V_{UV_IO_HYS}$	UVLO threshold hysteresis on V_{IO}	CA-IF1051VS		0.03		V	
LOGIC INTERFACE (Mode select input)							
V_{IH}	High-level input voltage	CA-IF1051VS	$0.7 * V_{IO}$			V	
		CA-IF1051S	2			V	
V_{IL}	Low-level input voltage	CA-IF1051VS			$0.3 * V_{IO}$	V	
		CA-IF1051S			0.8	V	
I_{IH}	High-level input leakage current	S = V_{CC} or $V_{IO} = 5.5\text{V}$			30	μA	
I_{IL}	Low-level input leakage current	S = 0V, $V_{CC} = V_{IO} = 5.5\text{V}$	-2		2	μA	
$I_{lek(off)}$	Unpowered leakage current	S = 5.5V, $V_{CC} = V_{IO} = 0\text{V}$	-1		1	μA	
LOGIC INTERFACE (TX input, TXD)							
V_{IH}	High-level input voltage	CA-IF1051VS	$0.7 * V_{IO}$			V	
		CA-IF1051S	2			V	
V_{IL}	Low-level input voltage	CA-IF1051VS			$0.3 * V_{IO}$	V	
		CA-IF1051S			0.8	V	
I_{IH}	High-level input leakage current	S = V_{CC} or $V_{IO} = 5.5\text{V}$	-2.5	0	1	μA	
I_{IL}	Low-level input leakage current	S = 0V, $V_{CC} = V_{IO} = 5.5\text{V}$	-100	-25	-7	μA	
$I_{lek(off)}$	Unpowered leakage current	S = 5.5V, $V_{CC} = V_{IO} = 0\text{V}$	-1	0	1	μA	
C_i	Input capacitance	$V_{IN} = 0.4 * \sin(4E6 * \pi * t) + 2.5\text{V}$		5		pF	
LOGIC INTERFACE (RX output, RXD)							
V_{OH}	High-level output voltage	$I_o = -2\text{mA}$, CA-IF1051VS	$0.8 * V_{IO}$	$V_{IO} - 0.2$		V	
		$I_o = -2\text{mA}$, CA-IF1051S	4	4.8		V	
V_{OL}	Low-level output voltage	$I_o = +2\text{mA}$, CA-IF1051VS			$0.2 * V_{IO}$	V	
		$I_o = +2\text{mA}$, CA-IF1051S		0.2	0.4	V	
$I_{lek(off)}$	Unpowered leakage current	RXD = 5.5V, $V_{CC} = V_{IO} = 0\text{V}$	-1	0	1	μA	

Electrical Characteristics (continued)

 Over recommended operating conditions, $T_A = -40^{\circ}\text{C}$ to 125°C (unless otherwise noted).

PARAMETER		TEST CONDITIONS	MIN	TYP	MAX	UNIT
CAN BUS DRIVER						
$V_{OD(DOM)}$	Bus output differential voltage (dominant)	TXD = low, $R_L = 60\Omega$, $R_{CM} = 165\Omega$, $-5V \leq V_{CM} \leq +10V$, see Figure 8-1	1.5		3.0	V
		TXD = low, $R_L = 45-50\Omega$, R_{CM} open, see Figure 8-1	1.4		3.0	V
		TXD = low, $R_L = 50-65\Omega$, R_{CM} open, see Figure 8-1	1.5		3.0	V
		TXD = low, $R_L = 2240\Omega$, R_{CM} open, see Figure 8-1	1.5		5.0	V
$V_{O(DOM)}$	Bus output voltage (dominant)	TXD = low, $S = 0V$, $R_L = 50-65\Omega$, CANH, see Figure 8-1	2.75		4.5	V
		TXD = low, $S = 0V$, $R_L = 50-65\Omega$, CANL, see Figure 8-1	0.5		2.25	V
$V_{O(REC)}$	Bus output voltage (recessive)	TXD = high, no load, CANH, see Figure 8-1	2		3	V
		TXD = high, no load, CANL, see Figure 8-1	2		3	V
$V_{OD(REC)}$	Bus output differential voltage (recessive)	TXD = high, $S = 0V$, $R_L = 60\Omega$, see Figure 8-1	-120		12	mV
		TXD = high, $S = 0V$, no load, see Figure 8-1	-50		+50	mV
$I_{OS(SS_DOM)}$	Short-circuit current (dominant)	TXD = low, CANL open, $V_{CANH} = -15V$ to $40V$, see Figure 8-7	-100			mA
		TXD = low, CANH open, $V_{CANL} = -15V$ to $40V$, see Figure 8-7			100	mA
$I_{OS(SS_rec)}$	Short-circuit current (recessive)	TXD = high, $V_{BUS} = -27V$ to $32V$, see Figure 8-7	-5		5	mA
V_{SYM}	Transient symmetry (dominant or recessive)	$R_L = 60\Omega$, R_{CM} open, TXD = 250kHz, 1MHz, see Figure 8-1		0.9	1.1	V/V
V_{SYM_DC}	DC Output symmetry (dominant or recessive)	$R_L = 60\Omega$, R_{CM} open, see Figure 8-1	-0.4		0.4	V
CAN RECEIVER						
V_{CM}	Common-mode input range	CANH or CANL to GND, RXD output valid, see Figure 8-2	-30		+30	V
V_{DIFF_R}	Input differential threshold voltage (recessive)	TXD = high, $V_{CM} = -20V$ to $20V$, see Figure 8-2	0.5			V
V_{DIFF_D}	Input differential threshold voltage (dominant)	TXD = high, $V_{CM} = -20V$ to $20V$, see Figure 8-2			0.9	V
V_{DIFF_R}	Input differential threshold voltage (recessive)	TXD = high, $V_{CM} = -30V$ to $30V$, see Figure 8-2	0.4			V
V_{DIFF_D}	Input differential threshold voltage (dominant)	TXD = high, $V_{CM} = -30V$ to $30V$, see Figure 8-2			1	V
V_{DIFF_HYS}	Input differential hysteresis	$S = 0$ or V_{CC} or V_{IO}		120		mV
R_{IN}	CANH/CANL input resistance	TXD = high, $V_{CM} = -30V$ to $30V$	15		40	k Ω
R_{DIFF}	Differential input resistance	TXD = high, $V_{CM} = -30V$ to $30V$	30		80	k Ω
$R_{DIFF(M)}$	Input resistance matching	$V_{CANH} = V_{CANL} = 5V$	-2		2	%
I_{LKG}	Input Leakage Current	$V_{CC} = V_{IO} = 0V$, $V_{CANH} = V_{CANL} = 5V$			4.8	μA
C_{IN}	Input capacitance	CANH or CANL to GND		24	30	pF
C_{IN_DIFF}	Differential input capacitance	CANH to CANL		12	15	pF

7.6. Switching Characteristics

 Over recommended operating conditions, $T_A = -40^{\circ}\text{C}$ to 125°C (unless otherwise noted).

PARAMETER		TEST CONDITIONS	MIN	TYP	MAX	UNIT
DRIVER						
t_R	Differential driver output rise time	$R_L = 60\Omega, C_L = 100\text{pF}$, see Figure 8-1		55		ns
t_F	Differential driver output fall time	$R_L = 60\Omega, C_L = 100\text{pF}$, see Figure 8-1		60		ns
t_{ONTXD}	TXD propagation delay (recessive to dominant)	$R_L = 60\Omega, C_L = 100\text{pF}$, see Figure 8-1		55		ns
t_{OFFTXD}	TXD propagation delay (dominant to recessive)	$R_L = 60\Omega, C_L = 100\text{pF}$, see Figure 8-1		40		ns
Tsk(p)	Pulse skew	$R_L = 60\Omega, C_L = 100\text{pF}$, see Figure 8-1		20		ns
t_{DOM}	TXD-dominant timeout	$R_L = 60\Omega, C_L$ open, see Figure 8-5	2	5	8	ms
RECEIVER						
t_{ONRXD}	RXD propagation delay (recessive to dominant)	$C_L = 15\text{pF}$, see Figure 8-2		95		ns
t_{OFFRXD}	RXD Propagation delay (dominant to recessive)	$C_L = 15\text{pF}$, see Figure 8-2		65		ns
t_R	RXD Output signal rise time	$C_L = 15\text{pF}$, see Figure 8-2		20		ns
t_F	RXD Output signal fall time	$C_L = 15\text{pF}$, see Figure 8-2		20		ns
DEVICE						
t_{loop1}	Total loop delay, driver input (TXD) to receiver output (RXD), recessive to dominant	$R_L = 60\Omega, C_L = 100\text{pF}$, see Figure 8-3		120	160	ns
t_{loop2}	Total loop delay, driver input (TXD) to receiver output (RXD), dominant to recessive	$R_L = 60\Omega, C_L = 100\text{pF}$, see Figure 8-3		130	175	ns
t_{ONTXD}	Mode change time, from normal to silent or from silent to normal	see Figure 8-4		0.13	10	μs
FD TIMING						
$t_{\text{bit}(\text{bus})}$	CAN bus bit time @ 2Mbps TXD input	$R_L = 60\Omega, C_L = 100\text{pF}, C_{Lrx} = 15\text{pF}$, see Figure 8-6	435		530	ns
$t_{\text{bit}(\text{bus})}$	CAN bus bit time @ 5Mbps TXD input	$R_L = 60\Omega, C_L = 100\text{pF}, C_{Lrx} = 15\text{pF}$, see Figure 8-6	155		210	ns
$t_{\text{bit}(\text{rx})}$	RXD output bit time @ 2Mbps	$R_L = 60\Omega, C_L = 100\text{pF}, C_{Lrx} = 15\text{pF}$, see Figure 8-6	400		550	ns
$t_{\text{bit}(\text{rx})}$	RXD output bit time @ 5Mbps	$R_L = 60\Omega, C_L = 100\text{pF}, C_{Lrx} = 15\text{pF}$, see Figure 8-6	120		220	ns
t_{rec}	Receiver timing symmetry @ 2Mbps	$R_L = 60\Omega, C_L = 100\text{pF}, C_{Lrx} = 15\text{pF}$, see Figure 8-6	-65		40	ns
t_{rec}	Receiver timing symmetry @ 5Mbps	$R_L = 60\Omega, C_L = 100\text{pF}, C_{Lrx} = 15\text{pF}$, see Figure 8-6	-45		15	ns

7.7. Typical Operating Characteristics and Waveforms

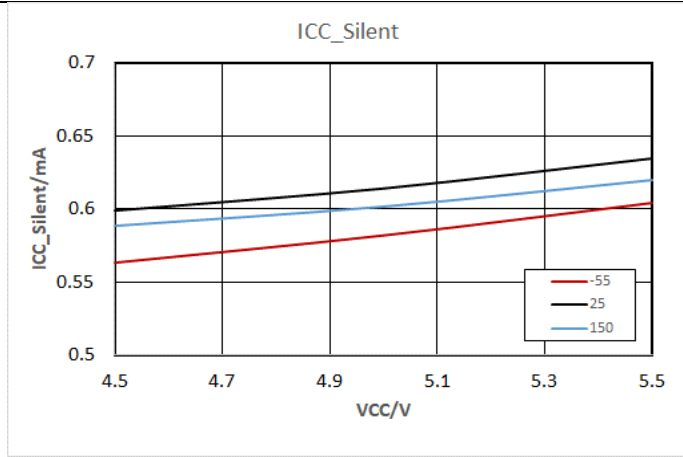


Figure 7-1 Supply Current @ Silent Mode

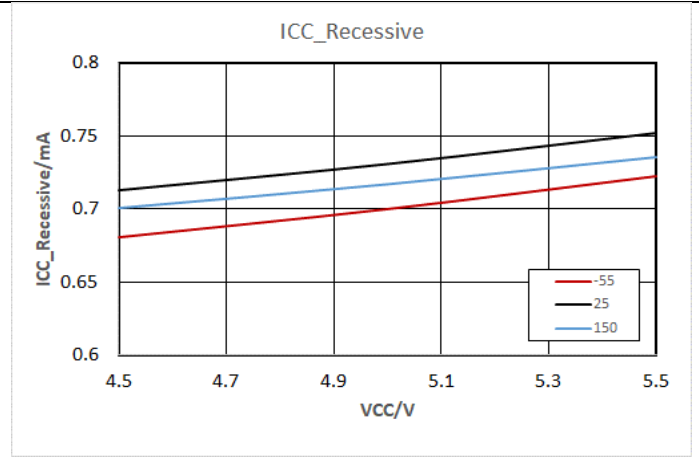


Figure 7-2 Supply Current @ Recessive State

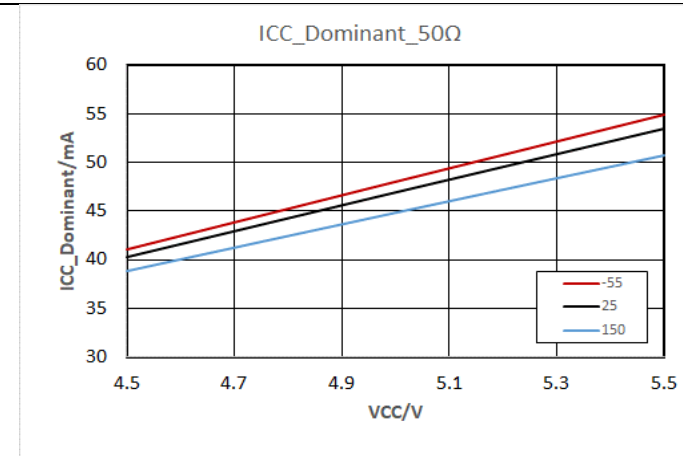


Figure 7-3 Supply Current @ Dominant State (RL = 50Ω)

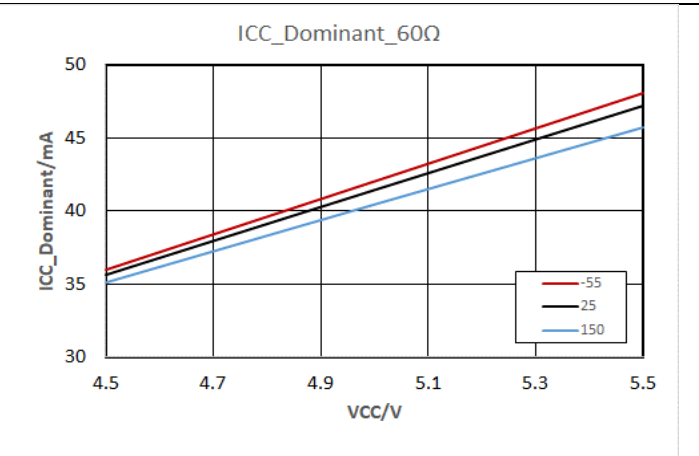


Figure 7-4 Supply Current @ Dominant State (RL = 60Ω)

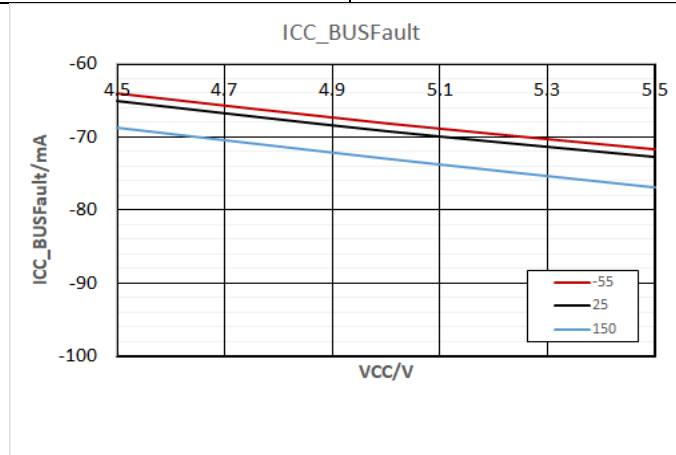


Figure 7-5 Bus Fault Current

Typical Operating Characteristics and Waveforms (continued)

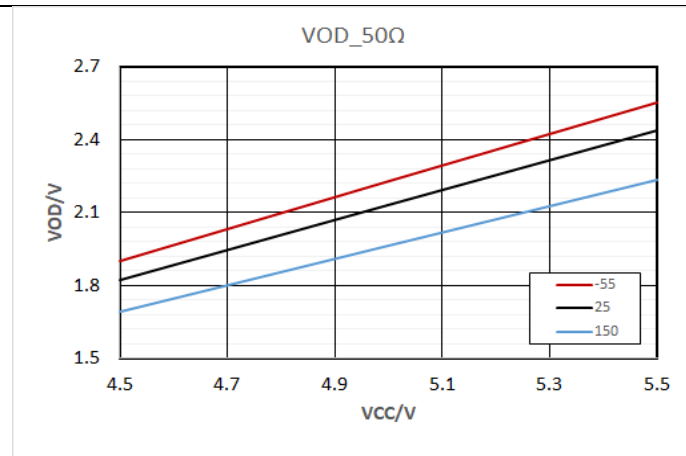


Figure 7-6 Differential Output Voltage vs. V_{CC} ($R_L = 50\Omega$)

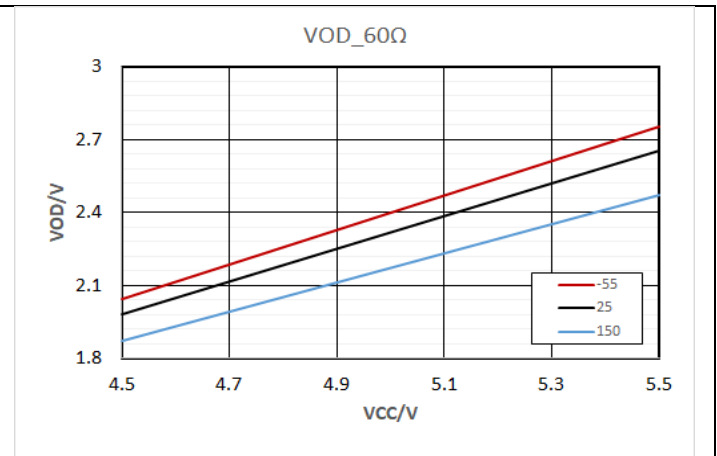


Figure 7-7 Differential Output Voltage vs. V_{CC} ($R_L = 60\Omega$)

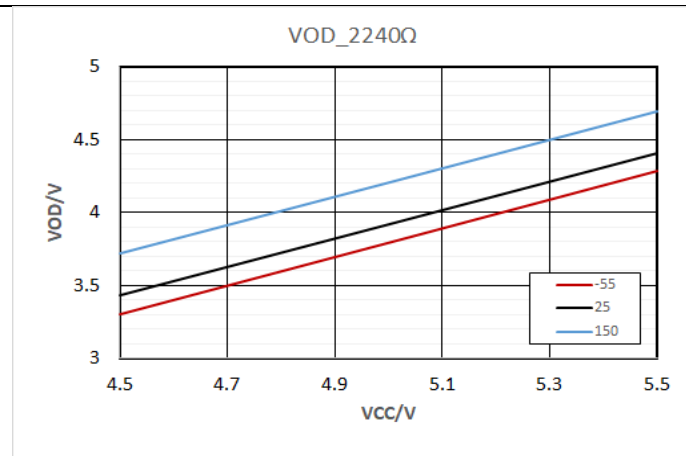


Figure 7-8 Differential Output Voltage vs. V_{CC} ($R_L = 240\Omega$)

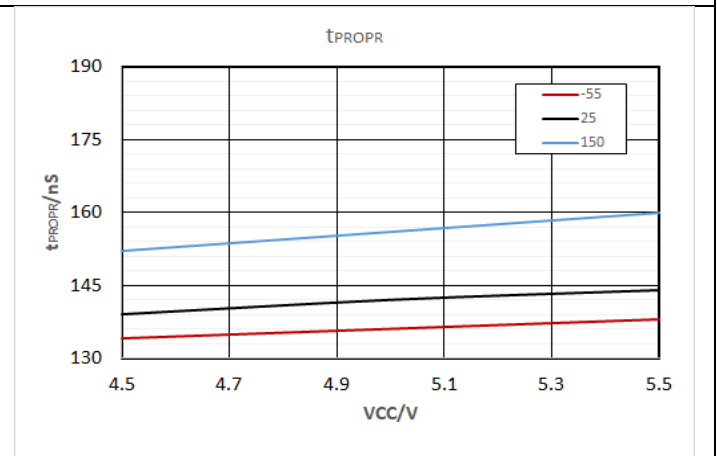


Figure 7-9 Loop Delay, Recessive to Dominant

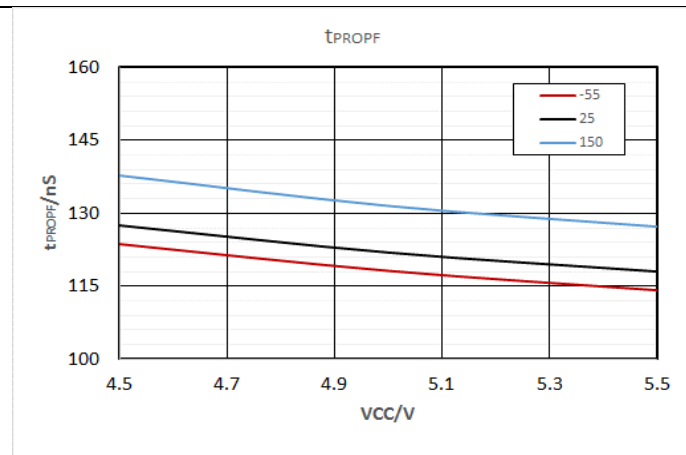


Figure 7-10 Loop Delay, Dominant to Recessive

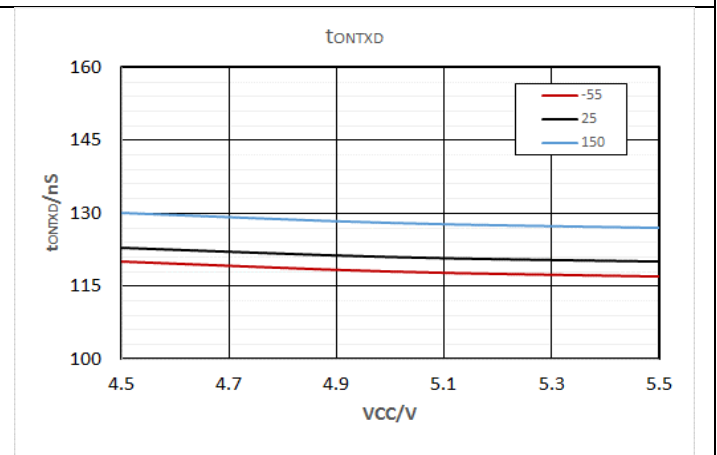


Figure 7-11 Mode Change Time

8. Parameter Measurement Information

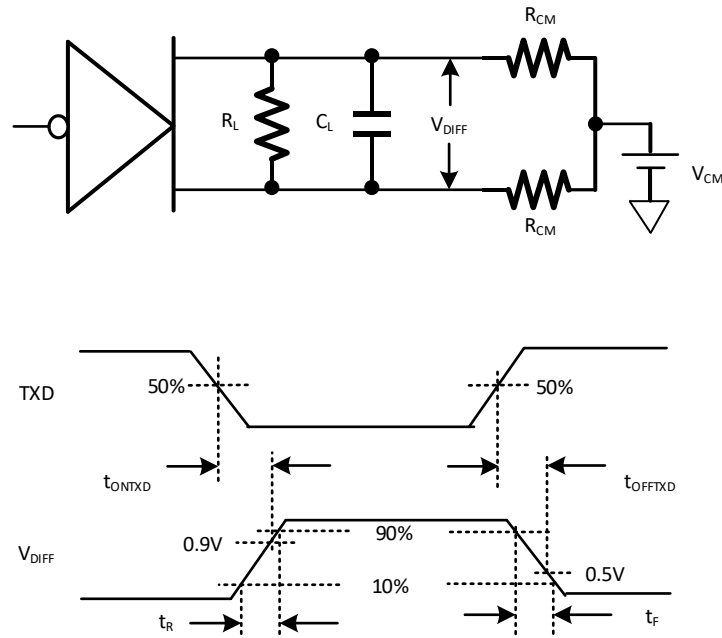


Figure 8-1 Transmitter Test Circuit and Timing Diagram

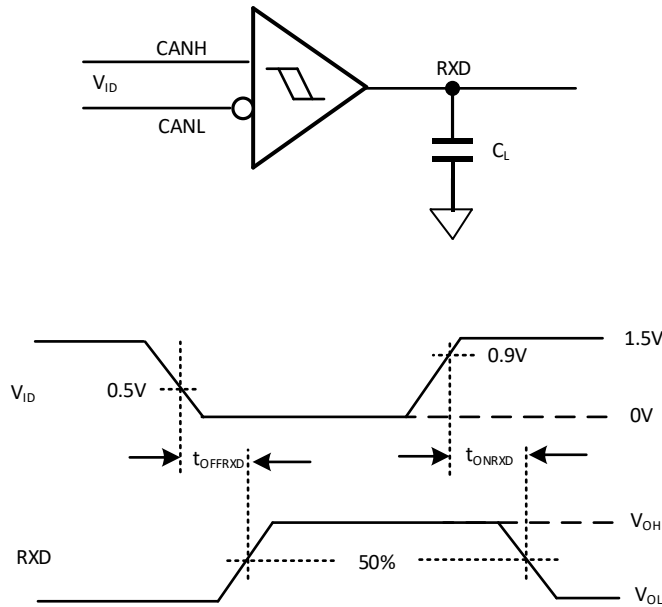


Figure 8-2 Receiver Test Circuit and Timing Diagram

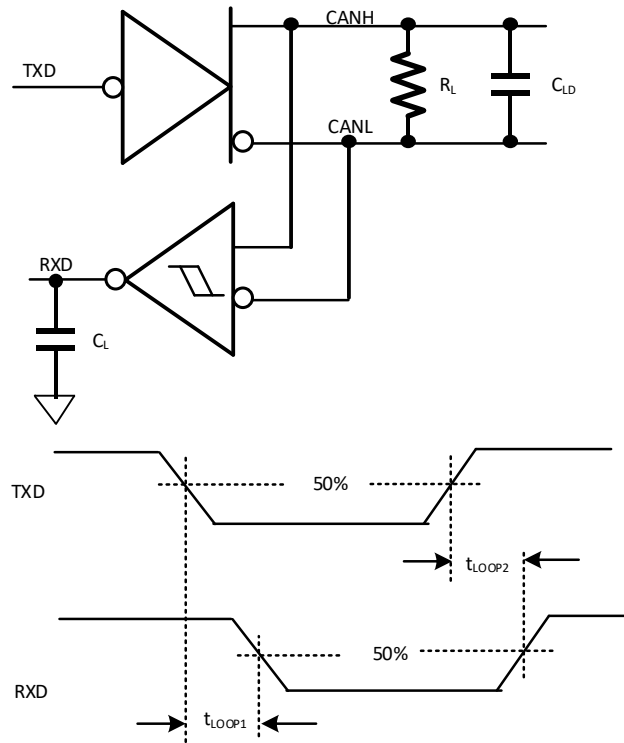


Figure 8-3 TXD to RXD Loop Delay

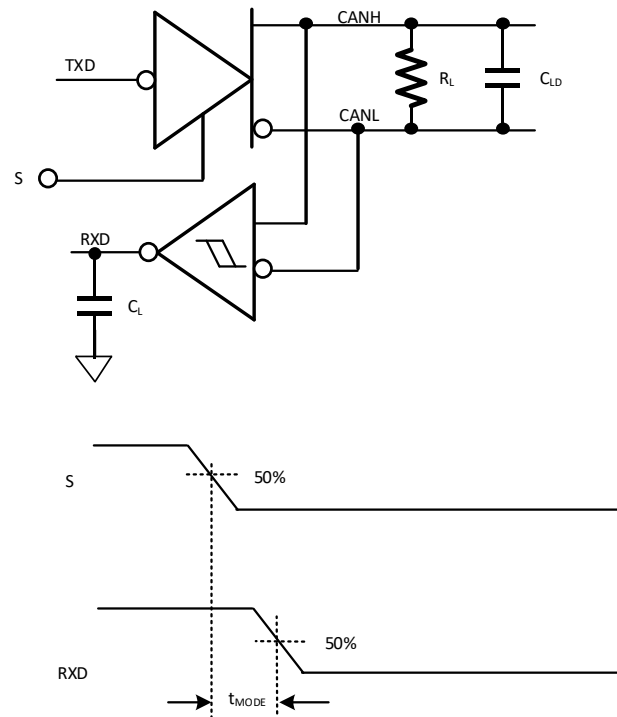


Figure 8-4 Mode Change Test Circuit and Timing Diagram

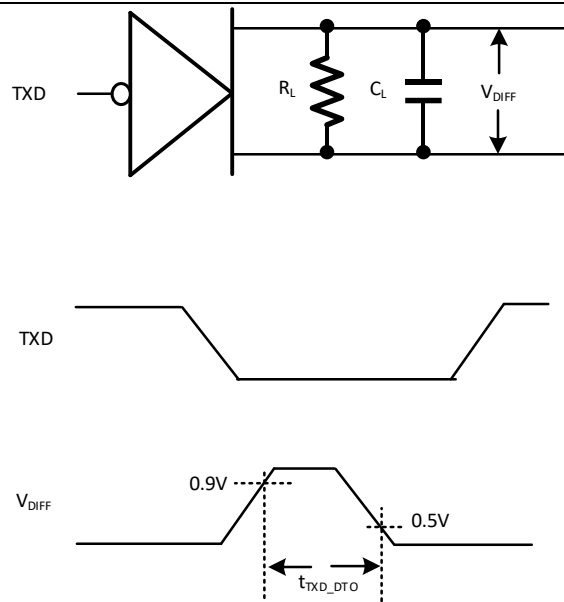


Figure 8-5 Transmitting Dominant Timeout Timing Diagram

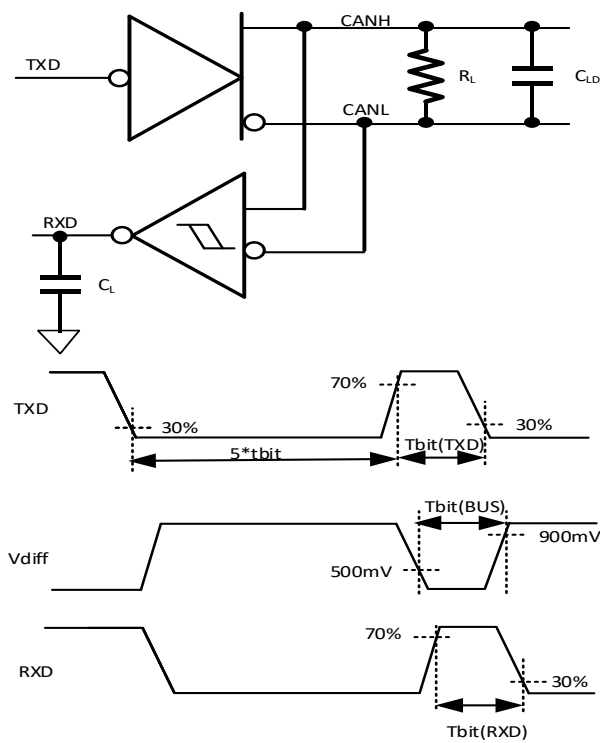


Figure 8-6 CAN FD Timing Parameter Measurement

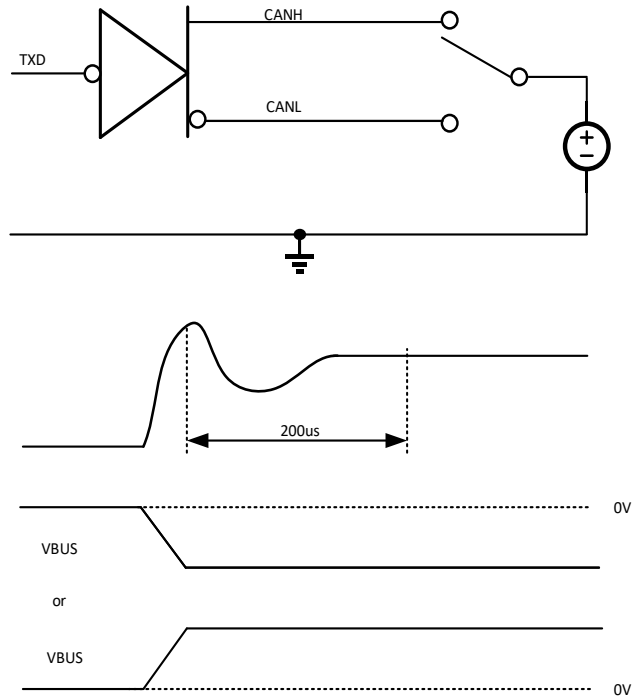


Figure 8-7 Driver Short Circuit Current Test Circuit and Measurement

9. Detailed Description

The CA-IF1051S/VS family of devices is fault-protected CAN transceiver, which meets the ISO11898-2 (2016) high speed CAN (Controller Area Network) physical layer standard. It is designed for harsh industrial applications with a number of integrated robust protection features that improve the reliability of end equipment. These devices are fault protected up to $\pm 58V$, making it ideal for applications where overvoltage protection is required. A common-mode voltage range of $\pm 30V$ enables communication in noisy environments where there are ground plane differences between different systems. Dominant timeout detection prevents the bus from being blocked by a hung-up microcontroller. The driver outputs CANH and CANL are short-circuit current-limited and protected against excessive power dissipation by thermal shutdown circuitry that places the driver outputs in a high-impedance state.

A separate input V_{IO} allows the CA-IF1051VS to communicate with logic systems down to 2.5V while operating up to a +5.5V supply. This provides a reduced input voltage threshold to the TXD and S inputs, and provides a logic-high output at RXD compatible with the microcontroller's supply rail. The logic compatibility eliminates external logic level translator and longer propagation delay due to level shifting. Connect V_{IO} to V_{CC} to operate with +5V logic systems.

These devices can operate up to 5Mbps data rate and support CAN FD. However, the maximum data rate is limited by the bus loading, number of nodes, cable length etc. factors, for CAN network design margin must be given for signal loss across the system and cabling, parasitic loadings, timing, network imbalances, ground offsets and signal integrity thus a practical maximum data rate, number of nodes often lower.

9.1. CAN Bus Status

The CAN bus has two states: dominant and recessive. In the dominant state (a zero bit, used to determine message priority), CANH-CANL are defined to be logic '0' when the voltage across them is between +1.5V and +3V (higher than 0.9V). In the recessive state (a 1-bit and the state of the idle bus), the driver is defined to be logic '1' when differential voltage is between -120mV and +12mV, or when it is near zero (lower than 0.5V), see *Figure 9-1*.

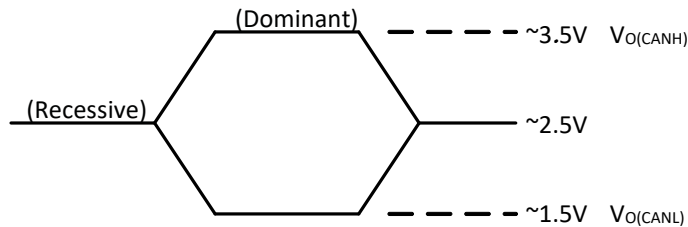


Figure. 9-1 Bus Logic State Voltage Definition

9.2. Receiver

The receiver reads the differential input from the bus line (CANH and CANL) and transfers this data as a single-ended output RXD to the CAN controller. The internal comparator senses the difference voltage $V_{DIFF} = (V_{CANH} - V_{CANL})$, with respect to an internal threshold of 0.7V. If $V_{DIFF} > 0.9V$, a logic-low is present on RXD; If $V_{DIFF} < 0.5V$, a logic-high is present. The CANH and CANL common-mode range is $\pm 30V$ in normal mode. RXD is a logic-high when CANH and CANL are shorted or terminated and un-driven, see *Table 9-1* receiver truth table for the detail.

Table 9-1 Receiver Truth Table

DEVICE MODE	$V_{ID} = V_{CANH} - V_{CANL}$	BUS STATE	RXD
Normal or Silent	$V_{ID} \geq 0.9V$	Dominant	Low
	$0.5V < V_{ID} < 0.9V$	Indeterminate	Indeterminate
	$V_{ID} \leq 0.5V$	Recessive	High
	Open ($V_{ID} \approx 0V$)	Open	High

9.3. Transmitter

The transmitter converts a single-ended input signal (TXD) from the local CAN controller to differential outputs for the bus lines CANH and CANL. The truth table for the transmitter is provided in *Table 9-2*. The CA-IF1051S/VS family of devices protects the transmitter output stage against a short-circuit to a positive or negative voltage by limiting the driver current. Thermal shutdown further protects the devices from excessive temperatures that may result from a short circuit. The transmitter returns to normal operation once the short is removed and the junction temperature drops at least the thermal shutdown hysteresis temperature below the thermal shutdown temperature of the device.

Table 9-2 Transmitter Truth Table (When Not Connected to the Bus)

INPUT		TXD LOW TIME	OUTPUT		BUS STATE
S	TXD		CANH	CANL	
Low or Open	Low	$< t_{DOM}$	High	Low	Dominant
	Low	$> t_{DOM}$	$V_{CC}/2$	$V_{CC}/2$	Recessive
	High or Open	X	$V_{CC}/2$	$V_{CC}/2$	Recessive
High	X	X	$V_{CC}/2$	$V_{CC}/2$	Recessive

X = Don't care

9.4. Protection Functions

9.4.1. Undervoltage Lockout

The supply terminal V_{CC} and V_{IO} have undervoltage detection that places the device in protected mode during an undervoltage event on V_{CC} and V_{IO} . Note that the CA-IF1051S without the “V” suffix only provides undervoltage detection for V_{CC} . Once an undervoltage condition is cleared and the supply voltage has returned to a valid level, the CA-IF1051S/VS transition to normal mode after the t_{ONTXD} time has expired. The host controller should not attempt to send or receive messages until the t_{ONTXD} time has expired.

Table 9-3 Undervoltage Lockout

V_{CC}	V_{IO}	DEVICE STATE	BUS OUTPUT		RXD	
			CA-IF1051VS	CA-IF1051S	CA-IF1051VS	CA-IF1051S
$> V_{UV_VCC}$	$> V_{UV_IO}$	Normal	Per TXD	Per TXD	Mirrors Bus	Mirrors Bus
$< V_{UV_VCC}$	$> V_{UV_IO}$	Protected mode	High Impedance	High Impedance	High	High Impedance
$> V_{UV_VCC}$	$< V_{UV_IO}$	Protected mode (CA-IF1051VS)	High Impedance	Per TXD	High Impedance	Mirrors Bus
$< V_{UV_VCC}$	$< V_{UV_IO}$	Protected mode	High Impedance	High Impedance	High Impedance	High Impedance

9.4.2. Fault Protection

The CA-IF1051S/VS devices have an internal $\pm 58V$ overvoltage circuit on the driver output and receiver inputs to protect the devices from accidental shorts between a local power supply and the data lines of the transceivers. This level of protection is present whether the transceiver is powered or un-powered.

9.4.3. Thermal Shutdown

If the junction temperature of the device exceeds the thermal shutdown threshold, the device turns off the CAN driver circuits thus blocking the TXD-to-bus transmission path. The CAN bus terminals are biased to the recessive level during a thermal shutdown, and the receiver-to-RXD path remains operational. The shutdown condition is cleared when the junction temperature drops at least the thermal shutdown hysteresis temperature below the thermal shutdown temperature of the device.

9.4.4. Current-Limit

The CA-IF1051S/VS protect the transmitter output stage against a short-circuit to a positive or negative voltage by limiting the driver current. However, this will cause large supply current and dissipation. Thermal shutdown further protects the devices from excessive temperatures that may result from a short circuit. The transmitter returns to normal operation once the short is removed.

9.4.5. Transmitter-Dominant Timeout

The CA-IF1051 series devices feature a transmitter-dominant timeout (t_{DOM}) that prevents erroneous CAN controllers from clamping the bus to a dominant level by maintaining a continuous low TXD signal. When TXD remains in the dominant state (low) for greater than t_{DOM} , the transmitter is disabled, releasing the bus to a recessive state (see Figure 9-2). After a dominant timeout fault, the transmitter is re-enabled when receiving a rising edge at TXD. The CAN protocol allows a maximum of eleven successive dominant bits (on TXD) for the worst case, where five successive dominant bits are followed immediately by an error frame. So the minimum transmitted data rate can be calculated as: $11 \text{ bits}/t_{DOM} = 11 \text{ bits} / 2\text{ms} = 5.5\text{kbps}$. The transmitter-dominant timeout limits the minimum possible data rate of the CA-IF1051 to 5.5kbps for the standard CAN protocol.

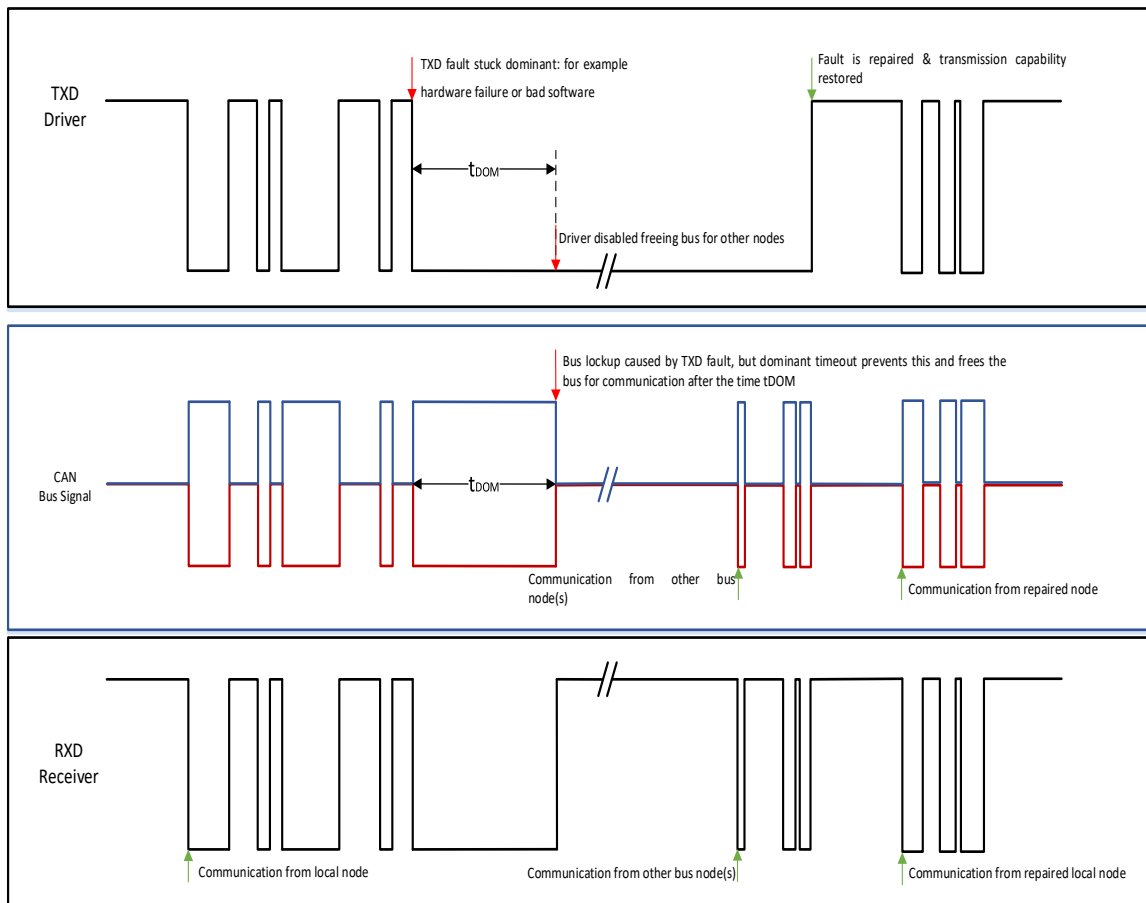


Figure 9-2 Transmitter-Dominant Timeout Protection

9.5. Unpowered Device

The device is designed to be 'ideal passive' or 'no load' to the CAN bus if it is unpowered. The bus terminals (CANH, CANL) have extremely low leakage currents when the device is unpowered to avoid loading down the bus.

9.6. Floating Terminals

This device has internal pull-up or pull-down on critical terminals to place the device into known states if the terminals float. The TXD terminal is pulled up to V_{CC} to force a recessive input level if the terminal floats. The pin S is also pulled down to force the device into normal mode if the terminal floats.

9.7. Operating Mode

The device has two operating modes: Normal mode and Silent mode. Operating mode selection is made via the S input.

9.7.1. Normal Mode

Select the Normal mode of device operation by putting S terminal low or leave it open. The CAN driver and receiver are fully operational and CAN communication is bi-directional. The driver translates a digital input on TXD to a differential output on CANH and CANL. The receiver translates the differential signal from CANH and CANL to a single-ended output on RXD.

9.7.2. Silent Mode

Drive S high to place the device in silent mode. This disables the transmitter regardless of the voltage level at TXD. However, RXD is still active and monitors activity on the bus line.

Table 9-4 Operating Mode

S	MODE	DRIVER	RECEIVER
Low or open	Normal	Enabled	Enabled
high	Silent	Disabled	Enabled

10. Application Information

The CA-IF1051S/VS CAN transceivers are typically used in applications with a host microprocessor or FPGA that includes the data link layer portion of the CAN protocol. These devices can operate up to 5Mbps data rate. However, the maximum data rate is limited by the bus loading, number of nodes, cable length etc. For CAN network design, margin must be given for signal loss across the system and cabling, parasitic loadings, timing, network imbalances, ground offsets and signal integrity thus a practical maximum data rate, number of nodes often lower. The ISO11898 Standard specifies a maximum of 30 nodes. However, with careful design, and consider of high input impedance of the CA-IF1051S/VS, designers can have many more nodes on the CAN bus. The differential input resistance of the CA-IF1051S/VS is a minimum of 30kΩ. If 110 CA-IF1051S/VS transceivers are in parallel on a bus, this is equivalent to a 273Ω differential load. That transceiver load of 273 Ω in parallel with the 60Ω (the two 120Ω termination resistors in parallel) gives a total 49Ω load on the bus. The driver differential output of the CA-IF1051S/VS devices is specified to provide at least 1.5V with a 60Ω load, and additionally specified with a differential output of 1.4 V with a 45Ω load. Therefore, the CA-IF1051S/VS theoretically can support over 110 transceivers on a single bus with design margin. Figure 10-1, Figure 10-2 show the typical application circuit for the CA-IF1051VS and CA-IF1051S, in *Figure 10-1*, connect the V_{IO} to the MCU logic-supply.

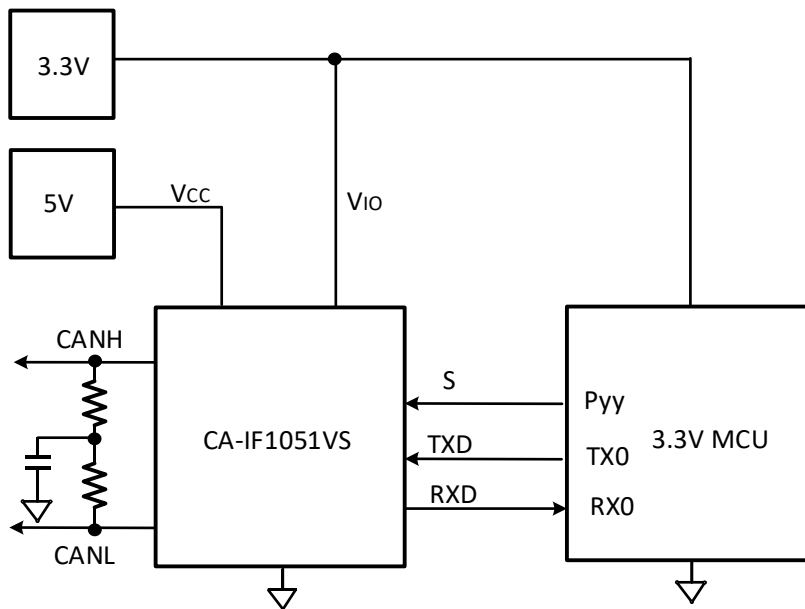
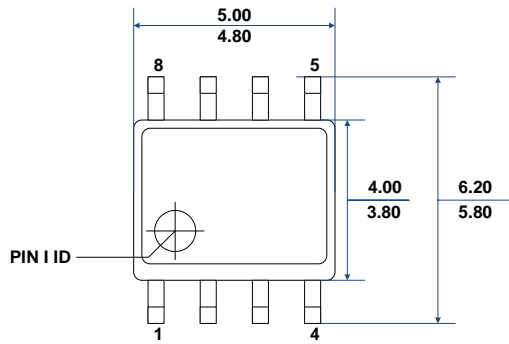


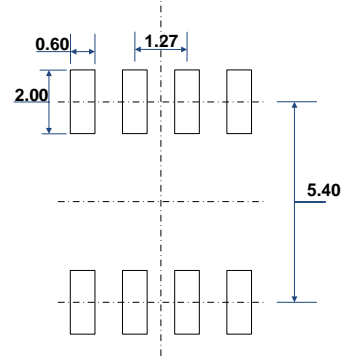
Figure 10- 1 CA-IF1051VS Typical Application Circuit

11. Package Information

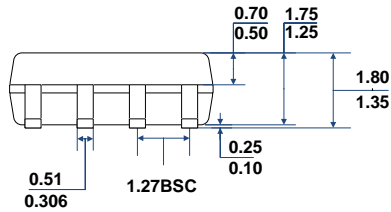
SOIC8 Package Outline



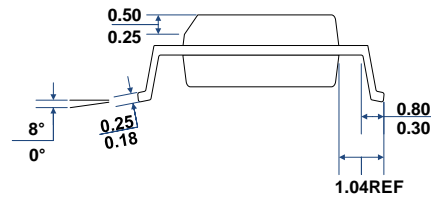
TOP VIEW



RECOMMENDED LAND PATTERN



FRONT VIEW



LEFT-SIDE VIEW

Note:

1. All dimensions are in millimeters, angles are in degrees.

Figure 11-1 SOIC8 Package Outline

12. Soldering Temperature (reflow) Profile

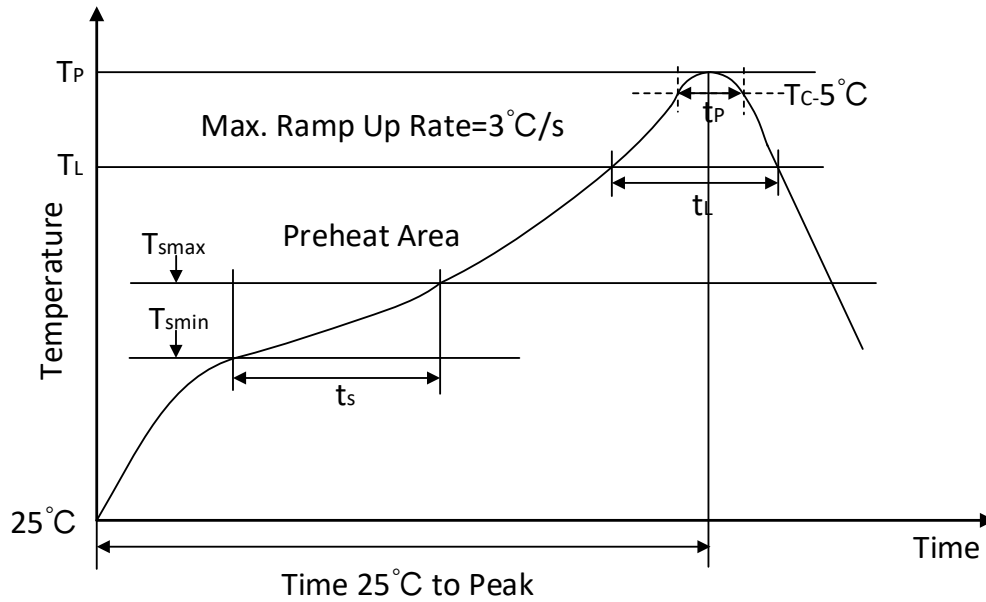


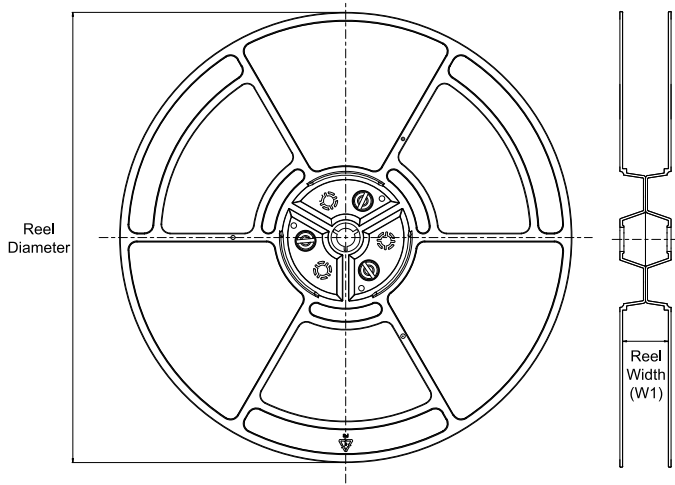
Figure 12- 3 Soldering Temperature (reflow) Profile

Table12- 1 Soldering Temperature Parameter

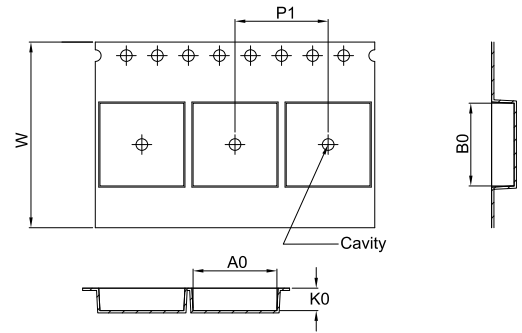
Profile Feature	Pb-Free Assembly
Average ramp-up rate(217 °C to Peak)	3°C/second max
Time of Preheat temp(from 150 °C to 200 °C)	60-120 second
Time to be maintained above 217 °C	60-150 second
Peak temperature	260 +5/-0 °C
Time within 5 °C of actual peak temp	30 second
Ramp-down rate	6 °C/second max.
Time from 25°C to peak temp	8 minutes max

13. Tape and Reel Information

REEL DIMENSIONS

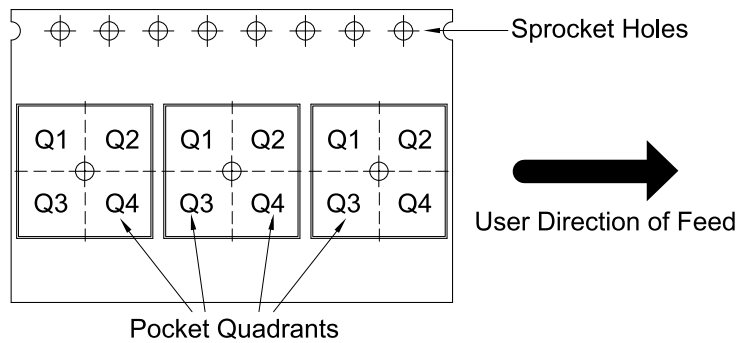


TAPE DIMENSIONS



A0	Dimension designed to accommodate the component width
B0	Dimension designed to accommodate the component length
K0	Dimension designed to accommodate the component thickness
W	Overall width of the carrier tape
P1	Pitch between successive cavity centers

QUADRANT ASSIGNMENTS FOR PIN 1 ORIENTATION IN TAPE



*All dimensions are nominal

Device	Package Type	Package Drawing	Pins	SPQ	Reel Diameter (mm)	Reel Width W1 (mm)	A0 (mm)	B0 (mm)	K0 (mm)	P1 (mm)	W (mm)	Pin1 Quadrant
CA-IF1051S	SOIC	S	8	2500	330	12.4	6.5	5.4	2.1	8.0	12.0	Q1
CA-IF1051VS	SOIC	S	8	2500	330	12.4	6.5	5.4	2.1	8.0	12.0	Q1

14. Important Statement

The above information is for reference only and used for helping Chipanalog customers with design, research and development. Chipanalog reserves the rights to change the above information due to technological innovation without advance notice.

All Chipanalog products pass ex-factory test. As for specific practical applications, customers need to be responsible for evaluating and determining whether the products are applicable or not by themselves. Chipanalog's authorization for customers to use the resources are only limited to development of the related applications of the Chipanalog products. In addition to this, the resources cannot be copied or shown, and Chipanalog is not responsible for any claims, compensations, costs, losses, liabilities and the like arising from the use of the resources.

Trademark information

Chipanalog Inc.® and Chipanalog® are registered trademarks of Chipanalog.



<http://www.chipanalog.com>